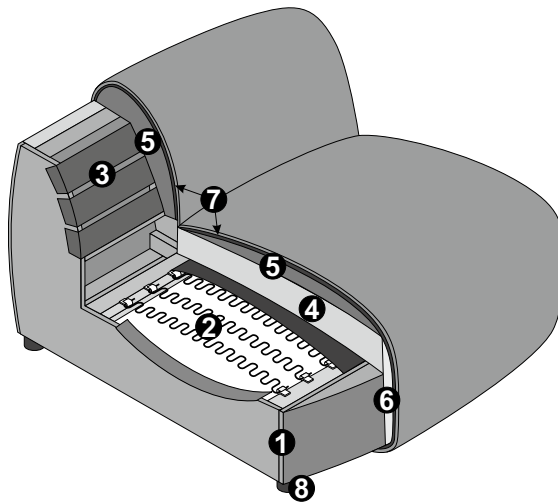


PURCHASE PRICE AND TYPE LIST

Information Globe

Thanks to its round, organic shape, Globe will inevitably become an attractive and contemporary eye-catcher in any living room. Globe blends harmoniously into various furnishing styles and impresses with its breathtaking comfort. Matching round cushions round off this bijou perfectly. With this model, everyday life automatically recedes into the distance and relaxing hours can be enjoyed in peace and quiet.



PRODUCT AND ORDER INFORMATION

- 1 Frame: **Beech wooden construction**
- 2 Supporting spring system seat: **permanently elastic NOSAG steel wave springs with felt cover**
- 3 Supporting spring system back: **flexible upholstery straps**
- 4 Upholstery structure seat: **highly elastic CFC-free foam (density 35 kg/m3)**
- 5 Upholstery structure back and seat: **highly elastic CFC-free foam (density 25 kg/m3)**
- 6 Upholstery structure cover panel: **foam (density 25 kg/m3)**
- 7 Upholstery structure back and seat: **siliconised wadding 300g**
- 8 Foot: **plastic glides / height: 4.5 cm**

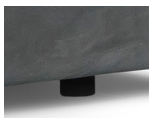
GOOD TO KNOW

Cover: **Single-colour fabric (ATTENTION: Due to the unusual shape of the Globe model, the following fabrics are not suitable for processing as the seam appearance will change: Bellezza, Cheyenne, Key West, Mirabella, Shine)**

Including: **new “easyjack” connector system for maximum flexibility**

Accessories (optional): **round cushions, kidney cushions, throw cushions**

Foot available in:



B
mat black

PURCHASE PRICE AND TYPE LIST

Specifics Globe

UPHOLSTERY STRUCTURE

The seat of this model is padded with a combination of top-quality CFC-free cold cure foams with at least 35 kg/m³ density and an extremely comfortable and durable highly soft foam with 30 kg/m³ density. To achieve optimal sitting comfort, we use a soft foam with a density of 25 kg/m³ in the back of this model.

WAVE FORMATION

Forming waves is a typical feature of this model. This is caused by the different qualities of the cover materials and the way in which fabric and leather respond to the impacts of everyday life. Body heat, weight and humidity have different effects on the materials, which is why the wave formation is a natural response of more casual models.

FABRIC PROCESSING

Due to the different qualities of the fabrics and leathers, it is possible that the decorative, double and fell seams either vary or are left out altogether. This depends, among other things, on the fabric width, which can render the parting of the back unnecessary and allow a simple seam to replace the decorative seam. ATTENTION: Due to the unusual shape of the Globe model, the following fabrics are not suitable for processing as the seam appearance will change: Bellezza, Cheyenne, Key West, Mirabella, Shine

COLOUR DEVIATIONS

Please note that natural materials such as leather and wood are as individual in their structure and colour as nature itself. We make every effort to provide you with an item that is as close as possible to the colour sample. However, please excuse that the colour of delivered items may vary, which does not constitute a defect.

RESERVATION

We reserve the right to improve products and their quality if technological progress so demands or if this contributes to maintain delivery capacity. The same applies to the correction of faulty details.

FSC®

Since September 2022 all our sofas, armchairs and beds are FSC® certified (FSC®-C112933). FSC® stands for 'Forest Stewardship Council®', which is an international certification system for more sustainable forest management. Products that are certified to carry this label are exclusively made from sustainable wood.

