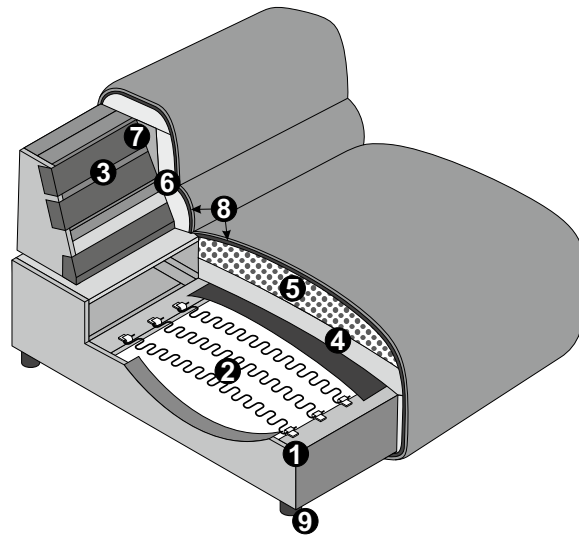


## PURCHASE PRICE AND TYPE LIST

# Information Colosseo

Colosseo is a successful symbiosis of aesthetics plus comfort and thus characterises the personality of every living room in a particularly elegant way. Regardless of whether you feel like doing nothing or socialising in good company: Thanks to the practical backrest adjustment, Colosseo adapts to new circumstances in an instant.



## PRODUCT AND ORDER INFORMATION

- 1 Frame: **Beech wooden construction**
- 2 Supporting spring system seat: **permanently elastic NOSAG steel wave springs with felt cover**
- 3 Supporting spring system back: **flexible upholstery straps**
- 4 Upholstery structure seat: **highly elastic CFC-free cold cure foam (density 30 kg/m<sup>3</sup>)**
- 5 Seat cushion composition: **a soft cushioned compartment layer with a filling of viscose foam flakes (70%) and silicone fibres (30%)**
- 6 Upholstery structure back: **highly elastic CFC-free cold cure foam (density 25 kg/m<sup>3</sup>)**
- 7 Upholstery structure back: **foam (density 25kg/m<sup>3</sup>)**
- 8 Upholstery structure back and seat: **siliconised wadding 300g**
- 9 Foot: **plastic glides / height: 6.5 cm**

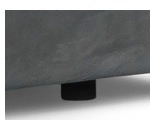
## GOOD TO KNOW

Cover: **Single-colour fabric and leather**

Including: **new "easyjack" connector system for maximum flexibility**

Accessories (optional): **Kidney cushions, throw cushions**

Foot available in:



B  
mat black

## PURCHASE PRICE AND TYPE LIST

# Specifics Colosseo

## UPHOLSTERY STRUCTURE

The seat of this model is padded with a combination of top-quality CFC-free cold cure foams with at least 35 kg/m<sup>3</sup> density and an extremely comfortable and durable highly soft foam with 25 kg/m<sup>3</sup> density. A chamber cushion pad filled with high-quality visco and foam flakes provides as an upholstery finish softness and incomparable comfort.

## WAVE FORMATION

Forming waves is a typical feature of this model. This is caused by the different qualities of the cover materials and the way in which fabric and leather respond to the impacts of everyday life. Body heat, weight and humidity have different effects on the materials, which is why the wave formation is a natural response of more casual models.

## LEATHER AND FABRIC PROCESSING

Due to the different qualities of the fabrics, it is possible that the decorative, double and fell seams either vary or are left out altogether. This depends, among other things, on the fabric width, which can render the parting of the back unnecessary and allow a simple seam to replace the decorative seam.

## COLOUR DEVIATIONS

Please note that natural materials such as leather and wood are as individual in their structure and colour as nature itself. We make every effort to provide you with an item that is as close as possible to the colour sample. However, please excuse that the colour of delivered items may vary, which does not constitute a defect.

## RESERVATION

We reserve the right to improve products and their quality if technological progress so demands or if this contributes to maintain delivery capacity. The same applies to the correction of faulty details.

## FSC®

Since September 2022 all our sofas, armchairs and beds are FSC® certified (FSC®-C112933). FSC® stands for 'Forest Stewardship Council®', which is an international certification system for more sustainable forest management. Products that are certified to carry this label are exclusively made from sustainable wood.

