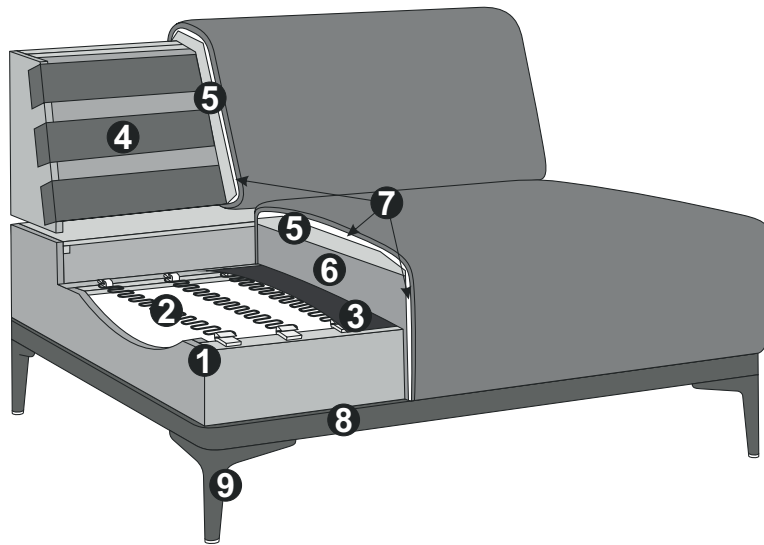


PURCHASE PRICE AND TYPE LIST

Information Central Park

A temple of cosiness: the 'Central Park' outdoor model cleverly combines urban flair with a natural look. The emphasised seat depth once again underlines the tempting cosiness of the piece, which is perfected by the practical seat depth adjustment and optional cushions. The 'Central Park' model is rounded off with exquisite outdoor fabrics, all of which are resistant to chlorine and salt water. With this elegant model, we have succeeded in making unrivalled indoor comfort available for outdoor use.



PRODUCT AND ORDER INFORMATION

- 1 Frame: **plywood boards with phenolic resin cover, cut edges sealed twice to be waterproof**
- 2 Seat padding: **No-sag springs, waterproof**
- 3 Seat padding: **water-permeable polyester protective cover**
- 4 Back padding: **Elasticated straps**
- 5 Cushion composition: **quick-drying outdoor foam, 'soft'**
- 6 Seat cushion composition: **quick-drying outdoor foam, 'hard'**
- 7 cushion composition: **300 g silicone wadding with water-permeable polyester protective cover**
- 8 Frame: **Aluminium frame**
- 9 Base: **Aluminium base/height: 15 cm**

GOOD TO KNOW

Reference: **The elements are only available in upholstery covers suitable for outdoor use.**

Including: **Back adjustment (except for corner and REC)**

Accessories (optional): **various cushions in different sizes (also only in outdoor-compatible upholstery co-**

Metal foot available in:



B
mat black

PURCHASE PRICE AND TYPE LIST

Specifics Central Park

FRAME

All load-bearing parts of the frame are made of moisture-resistant plywood panels with a phenolic resin coating. The cut edges of the material are sealed twice with a waterproof solution: once after the panels have been cut to size and again after the frame has been completed.

UPHOLSTERY STRUCTURE

The straps used for the back padding are weatherproof and quick-drying. The foams are also specifically designed for outdoor use: the extremely open cells with quick-drying and antibacterial features ensure that water and moisture can run off or through, which also shortens the overall drying time. The foams are also resistant to chlorine and salt water.

PADDING

The 'Central Park' model uses special hot-dip galvanised no-sag springs for the spring base, which can withstand many years of outdoor use. The metal fittings used for the seat depth adjustment are also hot-dip galvanised metal joints.

TOTAL MATERIALS

All components used in the 'Central Park' model have been carefully selected for outdoor use. The materials are protected with waterproof sealants and all metal parts (staples, threads) are made of stainless steel, which makes them perfectly suitable for long-term outdoor use.

FEET/FRAME

The black bases and the all-round, black, powder-coated frame are made of aluminium and are therefore non-corrosive.

WAVE FORMATION

Forming waves is a typical feature of this model. This is caused by the different qualities of the cover materials and the way in which fabric and leather respond to the impacts of everyday life. Body heat, weight and humidity have different effects on the materials, which is why the wave formation is a natural response of more casual models.

COLOUR DEVIATIONS

Please note that natural materials such as leather and wood are as individual in their structure and colour as nature itself. We make every effort to provide you with an item that is as close as possible to the colour sample. However, please excuse that the colour of delivered items may vary, which does not constitute a defect.

RESERVATION

We reserve the right to improve products and their quality if technological progress so demands or if this contributes to maintain delivery capacity. The same applies to the correction of faulty details.

FSC®

Since September 2022 all our sofas and armchairs are FSC® certified (FSC®-C112933). FSC® stands for 'Forest Stewardship Council®', which is an international certification system for more sustainable forest management. Products that are certified to carry this label are exclusively made from sustainable wood.

