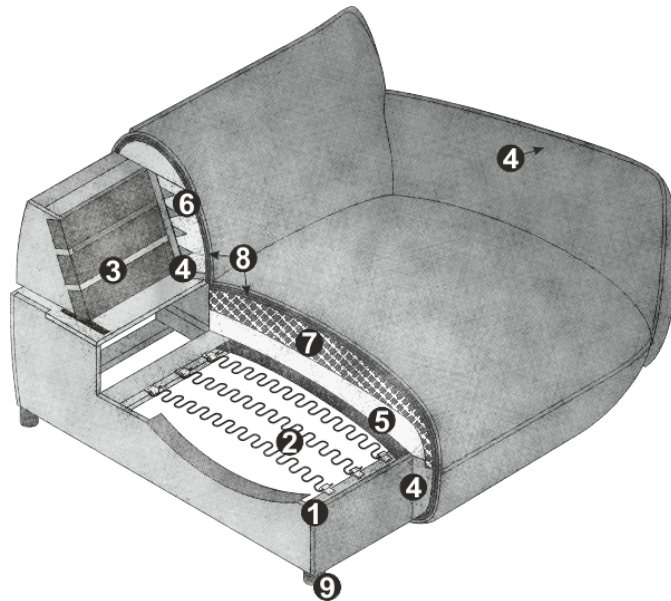


## PURCHASE PRICE AND TYPE LIST

# Information Fluffy

A skilful combination of original design and unbeatable comfort: with its unconventional shapes and special French stitching, Fluffy makes a strong statement in any room. The beautifully shaped model is topped off by the inviting seat depth and the practical backrest adjustment, which make the sofa the perfect place to relax.



## PRODUCT AND ORDER INFORMATION

- 1 Frame: **Beech wooden construction**
- 2 Seat suspension: **permanently elastic Nosag steel wave springs with felt cover**
- 3 Back suspension: **flexible upholstery straps**
- 4 Upholstery structure of front panel, back and armrests: **standard comfort foam (density 25 kg/m3)**
- 5 Upholstery structure seat: **highly elastic cold foam (density 35 kg/m3)**
- 6 Upholstery structure back: **highly elastic cold foam (density 25 kg/m3)**
- 7 Upholstery structure seat: **chamber cushion with a filling of viscose foam flakes (70%) and silicone fibres (30%)**
- 8 Upholstery structure back and seat: **upholstery wadding 200g**
- 9 Foot: **plastic glides / height: 4.5 cm**

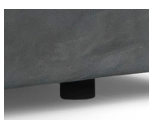
## GOOD TO KNOW

Cover: **Single-colour fabric**

Including: **Back adjustment (except for REC and trapeze corner)**

Accessories (optional): **Kidney cushions, throw cushions**

Foot available in:



B  
mat black

## PURCHASE PRICE AND TYPE LIST

# Specifics Fluffy

## UPHOLSTERY STRUCTURE

The seat of this model is padded with a combination of highly elastic CFC-free foams with 35 kg/m<sup>3</sup> density and a soft cushioned compartment layer with a filling of viscose foam flakes (70%) and silicone fibres (30%). To achieve optimal sitting comfort, we use a highly elastic CFC-free foam with a density of 25 kg/m<sup>3</sup> in the back of this model.

## WAVE FORMATION

Forming waves is a typical feature of this model. This is caused by the different qualities of the cover materials and the way in which fabric and leather respond to the impacts of everyday life. Body heat, weight and humidity have different effects on the materials, which is why the wave formation is a natural response of more casual models.

## COVERED BACK SECTIONS

The elements are always covered in the same fabric in the back and thus offer many possibilities to position the model.

## 1 ARTICLE NUMBER – COUNTLESS COMBINATIONS

Fluffy consists of various individual elements that can be combined in multiple ways. There are virtually no limits to your imagination! Thanks to our new 'easyjack' connector system, the individual elements can be easily rearranged at any time without tools or assistance.

## FABRIC PROCESSING

Due to the different qualities of the fabrics and leathers, it is possible that the decorative, double and fell seams either vary or are left out altogether. This depends, among other things, on the fabric width, which can render the parting of the back unnecessary and allow a simple seam to replace the decorative seam.

## COLOUR DEVIATIONS

Please note that natural materials such as leather and wood are as individual in their structure and colour as nature itself. We make every effort to provide you with an item that is as close as possible to the colour sample. However, please excuse that the colour of delivered items may vary, which does not constitute a defect.

## RESERVATION

We reserve the right to improve products and their quality if technological progress so demands or if this contributes to maintain delivery capacity. The same applies to the correction of faulty details.

## FSC®

Since September 2022 all our sofas, armchairs and beds are FSC® certified (FSC®-C112933). FSC® stands for 'Forest Stewardship Council®', which is an international certification system for more sustainable forest management. Products that are certified to carry this label are exclusively made from sustainable wood.

