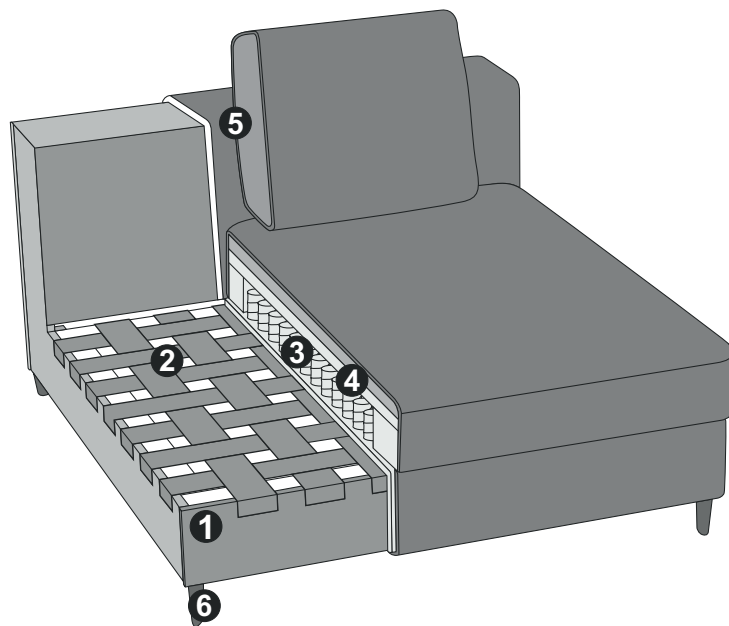


## PURCHASE PRICE AND TYPE LIST

# Information

# Berry

Finger on the pulse: Charming and attractive... Berry is said to be the Don Juan of the designwerk sofas. Berry is truly irresistible and seductive. Berry directly invites you to relax, take a break and chill out. Pocket spring core? – Oh yes. This is the unbeatable king of seat quality. Feathers are sewn elegantly in small fabric pockets. Greater strength, compressed density and stable robustness are the result. Thanks to its pocket spring core, Berry is always in beautiful shape.



## PRODUCT AND ORDER INFORMATION

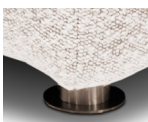
- 1 Frame: **Beech wooden construction**
- 2 Supporting spring system seat: **elastic upholstery strap with felt cover**
- 3 Seat cushion composition: **point-elastic cushion pocket spring core with a soft CFC-free, extremely sumptuous foam layer (density 30 kg/m<sup>3</sup>)**
- 4 Seat cushion composition: **soft cushioned compartment layer with a filling made from Visco and silicone foam**
- 5 Back cushion composition: **loose cushions with high-quality Visco foam filling**
- 6 Base: **satin nickel / height: 6 cm**

## GOOD TO KNOW

Overall depth available in 105 + 120 cm, upholstery material: **single-coloured fabric and leather**

Accessories: **back cushions with rollers**, Optional: **throw cushions, lumbar cushions, back cushions with headrest adjustment**

Metal foot available in:



B  
satin nickel

## PURCHASE PRICE AND TYPE LIST

# Specifics Berry

## UPHOLSTERY STRUCTURE

The upholstery of this model is made of a mixture of high-quality CFC-free cold foams in the seat. This foam has a density of at least 35 kg/m<sup>3</sup> and a durable pocket sprung core inside the cushions. In order to achieve harmonious seating comfort, we use loose cushions to the back in this model, which are filled with 100% highly-elastic Visco foam fluff.

## WAVE FORMATION

Forming waves is a typical feature of this model. This is caused by the different qualities of the cover materials and the way in which fabric and leather respond to the impacts of everyday life. Body heat, weight and humidity have different effects on the materials, which is why the wave formation is a natural response of more casual models.

## COVERED BACK SECTIONS

In principle, our models boast "genuine" upholstery, which means that the selected upholstery material is also used on the reverse side of the furniture, which therefore offers a great deal of freedom when it comes to positioning in the room.

## LEATHER AND FABRIC PROCESSING

Due to the different qualities of the fabrics, it is possible that the decorative, double and fell seams either vary or are left out altogether. This depends, among other things, on the fabric width, which can render the parting of the back unnecessary and allow a simple seam to replace the decorative seam.

## COLOUR DEVIATIONS

Please note that natural materials such as leather and wood are as individual in their structure and colour as nature itself. We make every effort to provide you with an item that is as close as possible to the colour sample. However, please excuse that the colour of delivered items may vary, which does not constitute a defect.

## RESERVATION

We reserve the right to improve products and their quality if technological progress so demands or if this contributes to maintain delivery capacity. The same applies to the correction of faulty details.

## FSC®

Since September 2022 all our sofas and armchairs are FSC® certified (FSC®-C112933). FSC® stands for 'Forest Stewardship Council®', which is an international certification system for more sustainable forest management. Products that are certified to carry this label are exclusively made from sustainable wood.

