

designwerk

Tables & bookshelves

The exclusive couch tables by designwerk blend seamlessly into the existing soft furnishing collection. They give any living room an Italian vibe and add that touch of luxury to your living room. Sophisticated tables made from high-quality glass, smoked glass or ceramic are stylishly combined with beautifully-shaped metal foot frames. Absolutely all of the combinations are breathtakingly beautiful.

The high-quality consoles and shelves by designwerk stand out thanks to their timeless designs and offer design freedom. Sophisticated shelves made from high-quality glass or ceramic are stylishly combined with robust metal frames. Regardless of whether you wish to use them for decorative purposes or as a practical storage solution, these pieces of furniture are an amazing find for all furniture connoisseurs.



Modell: Four Leg, Center Leg, Tower, Lowboard, One Blade U

Farbe: Vetro Nero, Vetro Bianco, Vetro Marrone, Struttura Chiaro, Fumo Nero

TABLES AND BOOKSHELVES

Examples




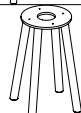
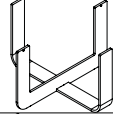
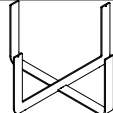
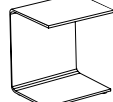
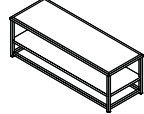


Model: Four Leg 40 with top size 46x32 cm, Center Leg 53 with top size 40x40cm, One Blade X29 with top size Ø 40 cm
Colour: Vetro Nero, Vetro Marrone, Vetro Bianco

exclusive.

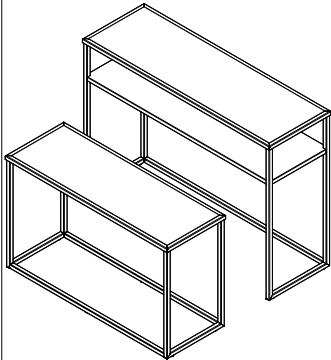
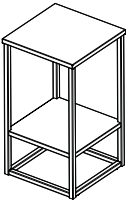
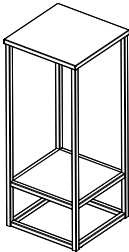
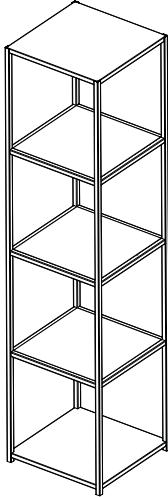
TABLES

Combinations

Name	Foot/frame	Height	Possible top sizes (in cm)
Four Leg		29 cm	<div style="display: flex; gap: 10px;"> <div style="border: 1px solid black; padding: 2px 5px;">90x90</div> <div style="border: 1px solid black; padding: 2px 5px;">70x70</div> </div>
		40 cm	<div style="display: flex; gap: 10px;"> <div style="border: 1px solid black; padding: 2px 5px;">40x40</div> <div style="border: 1px solid black; padding: 2px 5px;">46x32</div> <div style="border: 1px solid black; border-radius: 50%; padding: 2px 5px;">Ø60</div> <div style="border: 1px solid black; border-radius: 50%; padding: 2px 5px;">Ø40</div> </div>
One Blade		29 cm (X)	<div style="display: flex; gap: 10px;"> <div style="border: 1px solid black; padding: 2px 5px;">90x90</div> <div style="border: 1px solid black; padding: 2px 5px;">70x70</div> <div style="border: 1px solid black; border-radius: 50%; padding: 2px 5px;">Ø80</div> <div style="border: 1px solid black; border-radius: 50%; padding: 2px 5px;">Ø60</div> </div>
		40 cm (X)	<div style="display: flex; gap: 10px;"> <div style="border: 1px solid black; padding: 2px 5px;">90x90</div> <div style="border: 1px solid black; border-radius: 50%; padding: 2px 5px;">Ø80</div> </div>
C-Table		48 cm	The C-Table is only available in the size shown here.
Lowboard		35 cm	<div style="border: 1px solid black; padding: 2px 5px;">96x30</div>

BOOKSHELVES

Combinations

Console set	Console small	Console high	Tower
			
<p>Frame height: 76 cm</p>	<p>Frame height: 60 cm</p>	<p>Frame height: 83 cm</p>	<p>Frame height: 185 cm</p>
<p>Top size: 106x30 cm 87x28 cm</p>	<p>Top size: 29x29 cm</p>	<p>Top size: 29x29 cm</p>	<p>Top size: 40x40 cm</p>
<p>Top material and colour: Freely selectable</p>	<p>Top material and colour: Available</p>	<p>Top material and colour: Freely selectable</p>	<p>Top material and colour: Freely selectable</p>

TABLES AND BOOKSHELVES

Materials & colours

METAL FRAMES

Our frame models are handmade in Italy and are entirely made from robust metal. The black powder coating gives the frames a particularly sophisticated look.

GLASS TOPS

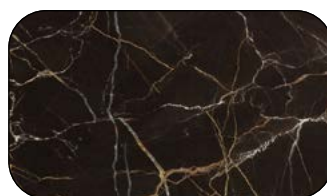
The elegant marbled look is created using a complex digital printing technique behind glass. Thanks to this method, the appearance is more brilliant than real marble and also has an attractive depth and more shine. Available in three colours:



Vetro Bianco (VB)



Vetro Nero (VN)



Vetro Marrone (VM)

CERAMIC TOPS

A natural look can be created using ceramic. In addition to an impressive look, our ceramic tops stand out thanks to the gorgeous feel of their surface, which is reminiscent of the structure of natural stone. The material is also extremely easy to maintain. Available in three colours:



Struttura Grigio Chiaro (SC)



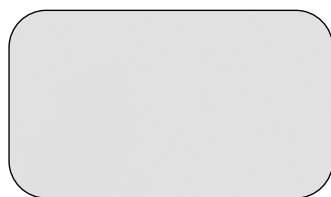
Struttura Verde (SV)



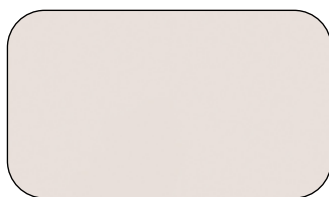
Struttura Grigio Antracite (SA)

TOPS MADE FROM SMOKED GLASS

In addition to the opaque materials, we offer another type of glass too with our smoked glass option. Smoked glass means tinted glass. Smoked glass furniture has an extravagant, exclusive vibe. Available in two colours:



Fumo Nero (FN)



Fumo Bronzo (FB)