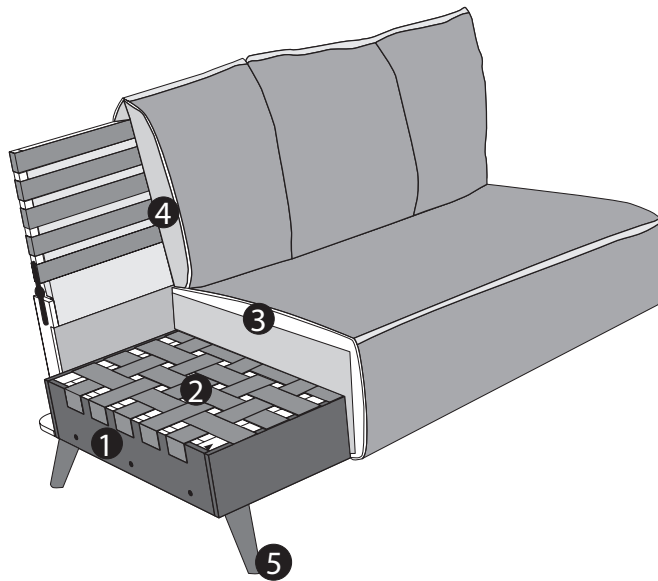


PURCHASE PRICE AND TYPE LIST

Information Faber

In the FABER model, attractive shapes flow into asymmetric curves and create a masterpiece of design art. Some of us see a unique design language, while others see the inviting centre of their living room. FABER tells its own story of charm, variety and serenity. As a sofa, it is in effortless harmony with every interior style and provides a lot of space for relaxation, creative freedom and time together.



PRODUCT AND ORDER INFORMATION

- 1 Frame: **Beech wooden construction**
- 2 Supporting spring system seat: **flexible upholstery straps**
- 3 Upholstery structure seat: **highly elastic CFC-free cold cure foam (density 35 kg/m³) with top-quality highly soft foam (density 30 kg/m³)**
- 4 Supporting spring system back: **flexible upholstery straps**
- 5 Upholstery structure back: **highly elastic CFC-free foam material (density 25 kg/m³)**
- 6 Foot: **metal foot / height: 12.5 cm**

GOOD TO KNOW

Cover: **Single-colour fabric**, piping: **available in contrasting colours**

Including: **Back adjustment, armrest adjustment**

Accessories (optional): **Kidney cushions, throw cushions**

Metal foot available in:



B
mat black



C
chrome

PURCHASE PRICE AND TYPE LIST

Specifics Faber

UPHOLSTERY STRUCTURE

The seat of this model is padded with a combination of top-quality CFC-free cold cure foams with at least 35 kg/m³ density and an extremely comfortable and durable highly soft foam with 30 kg/m³ density. To achieve optimal sitting comfort, we use a soft foam with a density of 25 kg/m³ in the back of this model.

WAVE FORMATION

Forming waves is a typical feature of this model. This is caused by the different qualities of the cover materials and the way in which fabric and leather respond to the impacts of everyday life. Body heat, weight and humidity have different effects on the materials, which is why the wave formation is a natural response of more casual models.

COVERED BACK SECTIONS

The elements are always covered in the same fabric in the back and thus offer many possibilities to position the model.

SIDE BOLSTERS

The side bolsters of this model are covered in the same fabric. By using alligator clips, the elements can be placed everywhere in the room.

FABRIC PROCESSING

Due to the different qualities of the fabrics and leathers, it is possible that the decorative, double and fell seams either vary or are left out altogether. This depends, among other things, on the fabric width, which can render the parting of the back unnecessary and allow a simple seam to replace the decorative seam.

COLOUR DEVIATIONS

Please note that natural materials such as leather and wood are as individual in their structure and colour as nature itself. We make every effort to provide you with an item that is as close as possible to the colour sample. However, please excuse that the colour of delivered items may vary, which does not constitute a defect.

RESERVATION

We reserve the right to improve products and their quality if technological progress so demands or if this contributes to maintain delivery capacity. The same applies to the correction of faulty details.

FSC®

Since September 2022 all our sofas and armchairs are FSC® certified (FSC®-C112933). FSC® stands for 'Forest Stewardship Council®', which is an international certification system for more sustainable forest management. Products that are certified to carry this label are exclusively made from sustainable wood.

